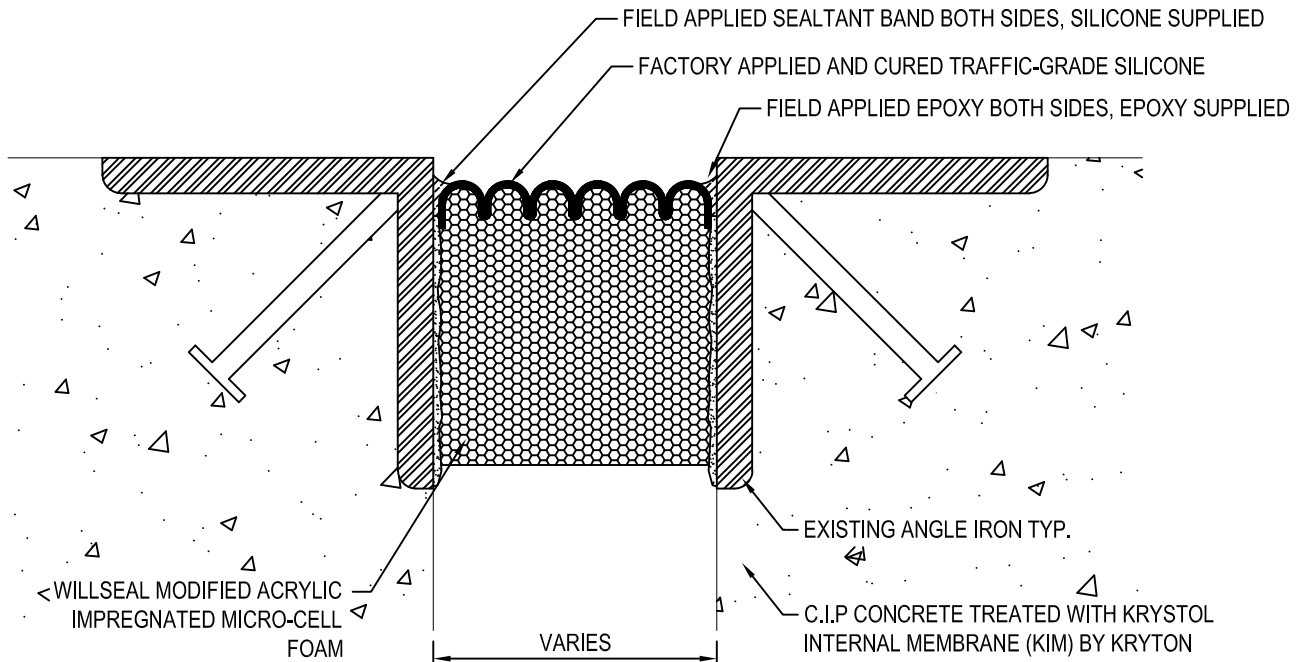




KRYTON INTERNATIONAL INC.
 1645 EAST KENT AVE.
 VANCOUVER, BC V5P 2S8
 TOLL FREE: 1-800-267-8280
 PHONE: (604) 324-8280
 FAX: (604) 324-8899
 www.kryton.com



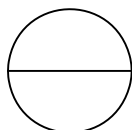
SECTION

MANUFACTURER'S NOTES:

1. MAKE SURE JOINT IS SOUND AND IS FREE FROM SPALLING OR DAMAGES
2. APPLY DUCT TAPE ALONG JOINT EDGE
3. MIX THE SUPPLIED EPOXY IN A SEPARATE CONTAINER AT A 1:1 RATIO, MIX UNTIL UNIFORM IN COLOR, EPOXY MUST BE USED WITHIN A 30 MINUTE TIME FRAME.
4. APPLY EPOXY ALONG THE VERTICAL FACE WITHIN IN THE JOINT SUBSTRATE AT A 60 LFT PER GALLON YIELD
5. REMOVE PACKAGING MATERIAL, BEING SURE NOT TO PULL OR TWIST, USE MARGIN TROWELS TO INSTALL THE MATERIAL
6. OVERLAP EACH PROGRESSIVE SUPPLIED SPLICE ADHESIVE AT THE END OF EACH STICK, THE END OF EACH STICK SHOULD BE INSTALLED IN COMPRESSION
7. USING THE SUPPLIED SILICONE APPLY A FILLET BEAD, AT A RATE OF 80 LFT PER SAUSAGE, ALONG THE MATERIAL AND THE SUBSTRATE AS WELL AS THE SILICONE SPLICE SEAMS
8. REMOVE THE DUCT TAPE AND REMOVE ANY EXCESS EPOXY OR SILICONE LEFT ON THE SURFACE OF THE MATERIAL OR SUBSTRATE
9. PLEASE SEE MANUFACTURES INSTALL INSTRUCTIONS FOR FULL DETAILS

NOTES:

1. INSTALLATION TO BE COMPLETED IN ACCORDANCE WITH MANUFACTURER'S SPECIFICATIONS.
2. DO NOT SCALE DRAWING.
3. THIS DRAWING IS INTENDED FOR USE BY ARCHITECTS, ENGINEERS, CONTRACTORS, CONSULTANTS AND DESIGN PROFESSIONALS FOR PLANNING PURPOSES ONLY. THIS DRAWING MAY NOT BE USED FOR CONSTRUCTION.
4. ALL INFORMATION CONTAINED HEREIN WAS CURRENT AT THE TIME OF DEVELOPMENT BUT MUST BE REVIEWED AND APPROVED BY THE PRODUCT MANUFACTURER TO BE CONSIDERED ACCURATE.
5. CONTRACTOR'S NOTE: FOR PRODUCT AND COMPANY INFORMATION VISIT www.CADdetails.com/info AND ENTER REFERENCE NUMBER 5104-053



WILLSEAL 250 - KIM CONCRETE

EXPANSION JOINTS - ANGLE IRON APPLICATION